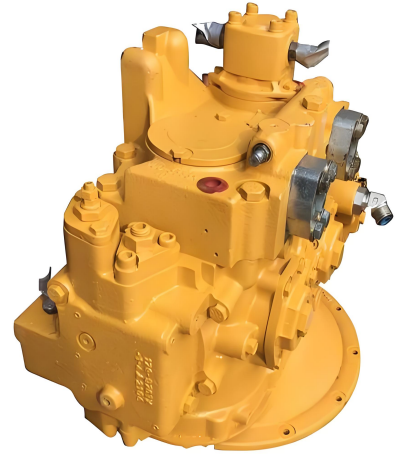


### Main specification parameter for cat 330 hydraulic pump

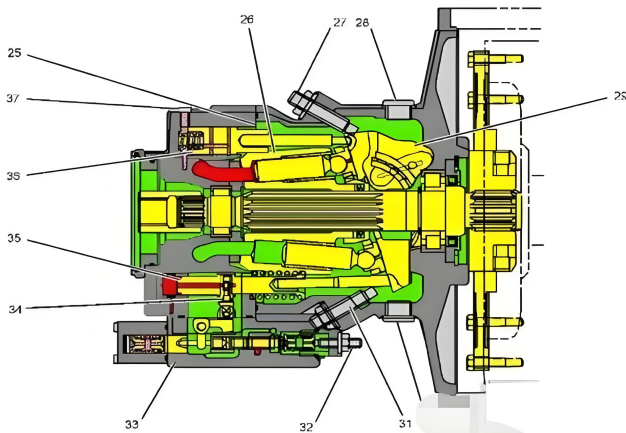
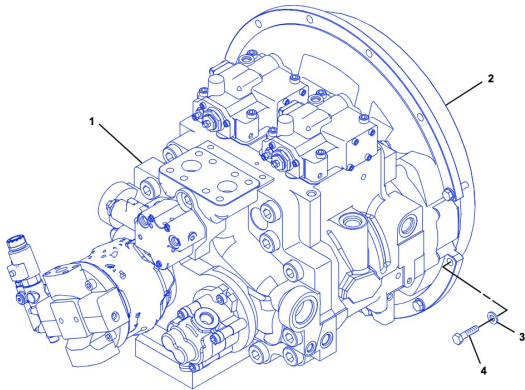
Brand	Model	Product Name	Part Number	Assembly Quantity	Weight
Caterpillar	330D	hydraulic pump	2478992	1	269KG

### Compatible Equipment Models: 2478992

330D	330D FM	330D L
330D LN	330D MH	M330D



### Product Details



Product Name	cat 330 hydraulic pump
Part Number	2478992
Origin	United States
Brand Name	STONE
Model	330D
Price	Negotiable
Packing Details	Standard Export Packing
Delivery Time	0-30 Days
Payment Term	L/C, T/T
Price Term	FOB, CIF, CFR
Supply Capacity	50,000 PCS/Month
Minimum Order Quantity	1 PC
Material	High Quality Steel
Technology	Precision Machining
Surface	Treatment Anti-Corrosion Coating
Hardness	HRC 48-52
Quality	Original Factory Standard
Warranty Time	12 Months or 2000 Hours
After-Sales Service	Full Support, Online Service
Color	Standard Caterpillar Yellow or Customizable
Application	Excavator
Customizable	including customized materials, surface treatment and specifications

# cat 330 hydraulic pump

2478992

MWP2304-2960

266-7954  
活塞泵总成 -With Pilot...  
MWP1-315

207-8235  
齿轮泵总成  
MWP1-UP

247-8992  
主液泵总成  
MWP316-2131

247-8992  
主液泵总成  
MWP1-315

295-9674  
主液泵总成  
MWP2132-2303

315-4393  
Pump GP-Piston & Gear  
MWP2304-2960

VIEW OF AREA A

## STONE: Construction machinery parts expert in China



We are committed to providing a variety of parts including bulldozers, excavators and wheel loaders for well-known brands such as Carter and Komatsu. Our product line covers a full range of OEM parts, such as Track Chain, Track Rollers, Sprocket, Excavator Buckets, Blades, Excavator Cylinders, Swing Circles, and various electrical and hydraulic components to ensure that our customers' stringent requirements for quality and performance are met.



Stone (Shanghai) Engineering Machinery Co., Ltd. is a leading supplier of engineering machinery parts, focusing on providing high-quality parts for mining companies. Since its establishment in 2004, we have been based in Shanghai, China, and have built our own brand STONE, becoming a trusted choice in the industry.